

REVELATION

by UTTERMOST

ASSEMBLY INSTRUCTIONS

ILLUSTRATION

STYLE NO. : R21602

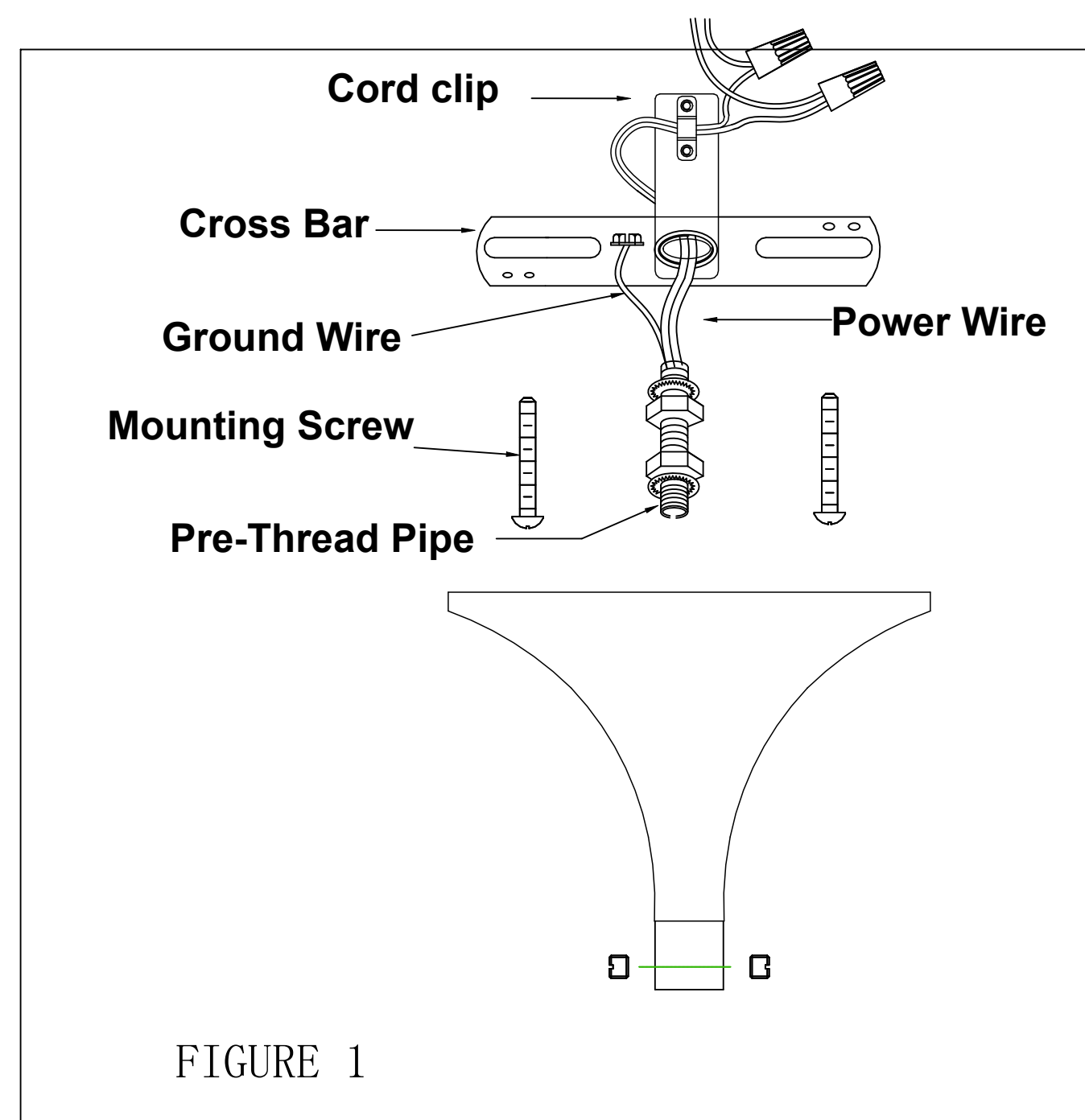


FIGURE 1

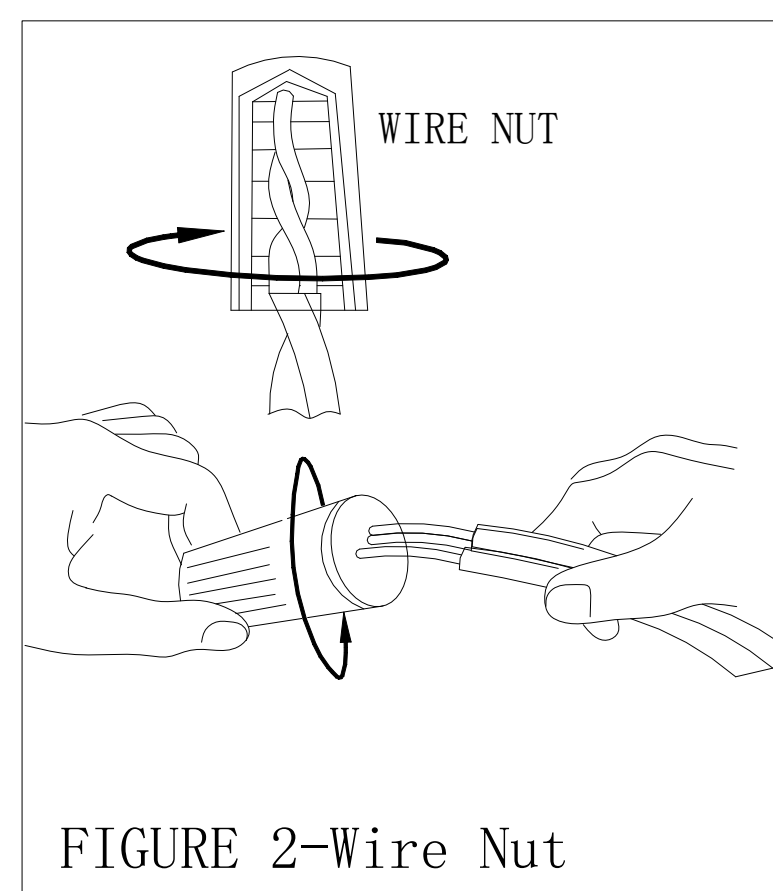
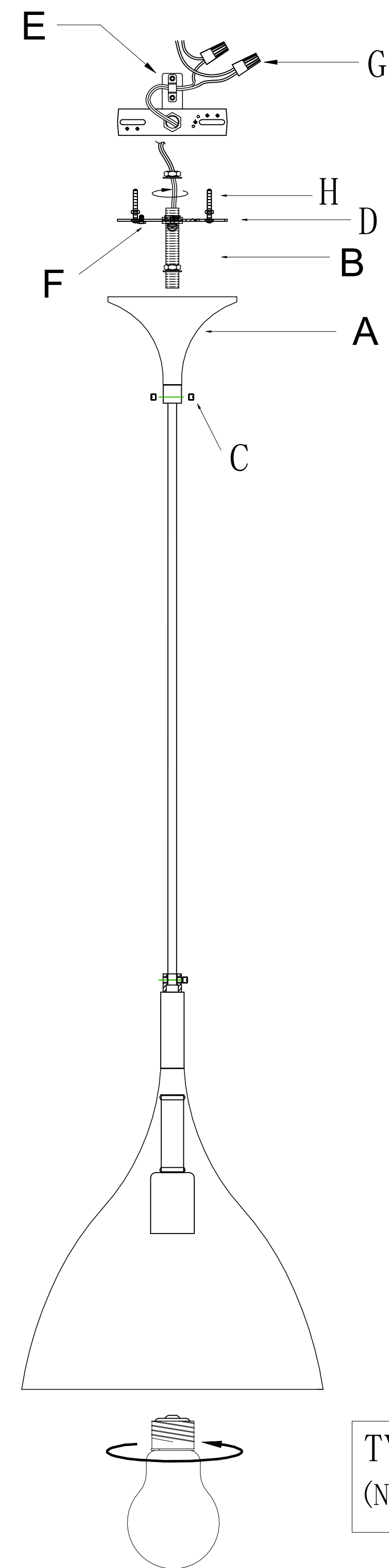


FIGURE 2-Wire Nut



TYPE A 60W MAX
(NOT INCLUDED BULB)

REVELATION

by UTTERMOST

ASSEMBLY INSTRUCTIONS

STYLE NO. : R21602

Parts and Hardware List

A.	Ceiling Assembly	1PC
B.	Pre-thread Pipe	1PC
C.	plastic screws	2PCS
D.	Cross Bar	1PC
E.	Cord Clip	1PC
F.	Green Ground Screw	1PC
G.	Wire Nut	3PCS
H.	Mounting Screw	2PCS

Please make sure that you have all the parts indicated before you begin assembling this item.

Please read Wiring Instructions before you begin assembling and installing your Ceiling Lamp.

WARNING: BEFORE INSTALLING, make sure the electricity supply is shut off to avoid a possible electric shock. We suggest a licensed electrician for all lighting fixture installations.

Assembly Instruction

1. Take the parts carefully out of the carton, place them on a flat surface, and make sure that the parts will not be damaged. Adjust cord length as needed for your installation, remove excess.
2. Fasten the Cross Bar(D) using the Mounting Screws(H). (See Figure1)
3. Install the ground wire in the Cross Bar(D) with the supplied Green Ground Screw(F).
4. You can loose cord clip to adjust the length of wires.
5. Place the null wire, ribbed wire evenly against the ribbed wire from the Outlet Box and place the live wire, smooth wire evenly against the smooth wire from the Outlet Box. (Connecting the Wires-See Figure 2)
6. After the wires are connected, tuck them carefully. Secure Canopy(A) with Pre-Thread Pipe(B). (See Figure 1)
7. Install the 1*60 Watt, Type A bulb into the socket of the fixture.